

C DE RIVETAGE SIOUX

COMPRESSION RIVETERS

Single, Tandem, and Triple Cylinder Options

Riveting Capacity:

1/8" (3 mm) (Single Cylinder)

3/16" (5 mm) (Tandem Cylinder)

1/4" (6 mm) (Triple Cylinder)

Safety Throttle



SZEA5030



SZEA7030



SZEA9030

Compression Riveters

Model Number	Rivet Set Shank Diameter		Cap Cold Rivet Diameter				Standard Alligator Yoke Dimension				Max Force at 90 psi		Moving Jaw				Net Weight w/ Yoke		Overall Length	
			Steel		Alum		Reach		Closed Ht				Max Travel		Stroke at Max Force					
	In	mm	In	mm	In	mm	In	mm	In	mm	In	mm	In	mm	In	mm	lb	kg	In	mm
CR-1 – Single Cylinder																				
SZEA5000	NA	NA	3/32	2	1/8	3	NA	NA	NA	NA	3000	13.4	5/8	16	final 1/16	2	2-1/4	1.0	7-11/16	195
SZEA5015	3/16	5	3/32	2	1/8	3	1-1/2	38	7/8	22	3000	13.4	5/8	16	final 1/16	2	3.75	1.7	9-3/16	233
SZEA5022	3/16	5	3/32	2	3/32	2	2-1/4	57	7/8	22	2200	9.8	7/8	22	final 3/32	2	4.25	1.9	10-1/8	257
SZEA5030	3/16	5	3/32	2	3/32	2	3	76	7/8	22	1800	8.0	1-1/4	32	final 1/8	3	4.75	2.2	10-7/8	276
CR-1 – Tandem Cylinder																				
SZEA7000	NA	NA	5/32	4	3/16	5	NA	NA	NA	NA	6000	26.7	5/8	16	final 1/16	2	4	1.8	10-1/2	267
SZEA7015	3/16	5	5/32	4	3/16	5	1-1/2	38	7/8	22	6000	26.7	5/8	16	final 1/16	2	5.5	2.5	12	306
SZEA7022	3/16	5	1/8	3	5/32	4	2-1/4	57	7/8	22	4300	19.1	7/8	22	final 3/32	2	6	2.7	13	330
SZEA7030	3/16	5	3/32	2	1/8	3	3	76	7/8	22	3400	15.1	1-1/4	32	final 1/8	3	6.25	2.8	13.75	349
CR-1 – Triple Cylinder																				
SZEA9000	NA	NA	3/16	5	1/4	6	NA	NA	NA	NA	9000	40.1	5/8	16	final 1/16	2	5.5	2.5	14.5	368
SZEA9015	3/16	5	3/16	5	1/4	6	1-1/2	38	7/8	22	9000	40.1	5/8	16	final 1/16	2	7	3.2	16	406
SZEA9022	3/16	5	5/32	4	3/16	5	2-1/4	57	7/8	22	7000	31.2	7/8	22	final 3/32	2	7.5	93.4	16.75	426
SZEA9030	3/16	5	5/32	4	3/16	5	3	76	7/8	22	5200	23.1	1-1/4	32	final 1/8	3	8	3.6	17.5	445

General:

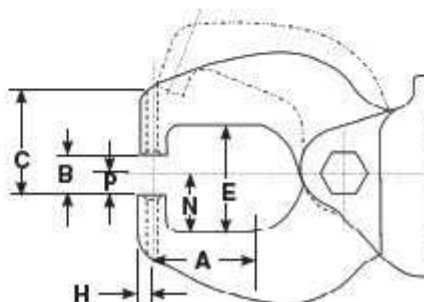
Air Inlet Size: 1/4" NPT • Recommended Hose Size: 3/8" (10 mm) • Performance rated @ 90 psig (6.2 bar) air pressure

Standard Equipment:

Parts List • Safety and Instruction Manual • Safety throttle action

Alligator Yoke Nomenclature

- A Reach
- B Closed Height
- C Total
- E Gap
- H Lowest Offset
- N Depth from centerline to Stationary Jaw Gap
- P Depth from centerline to Stationary Jaw set hole surface



A		B		C		E		H		N		P	
In	mm	In	mm	In	mm	In	mm	In	mm	In	mm	In	mm
1-1/2	38	7/8	22	1-1/2	38	1-5/8	41	7/32	6	1.0	1	5/8	16
2-1/4	57	7/8	22	1-7/8	48	2-1/8	54	7/32	6	1-1/4	32	5/8	16
3.0	76	7/8	22	2-1/8	54	2-1/8	54	7/32	6	1-1/4	32	5/8	16

MAJ : 02.08 Vérif. : N.P.L Appr. : C . P	Distribution OPINDUS	
Matériel conforme à la D.E 89/392/CEE, aux Normes EN292-1 et 2, EN294		
OPINDUS : 1, Rue Maurice Audibert 69800 SAINT PRIEST Tél : 04.78.21.73.14 - Fax : 04.78.21.73.01		

COMPRESSION RIVETERS

Single, Tandem, and Triple Cylinder Options

Riveting Capacity:

1/8" (3 mm) (Single Cylinder)

3/16" (5 mm) (Tandem Cylinder)

1/4" (6 mm) (Triple Cylinder)

Safety Throttle



Compression Riveters

Model Number	Rivet Set Shank Diameter		Cap Cold Rivet Diameter			Standard "C" Yoke Dimension				Closed Height		Max Travel		Max Force at 90 psi		Stroke at Max Force		Net Weight w/ Yoke		Overall Length		
	In	mm	Steel	Alum	Reach	Gap	In	mm	In	mm	In	mm	lb	kN	In	mm	lb	kg	In	mm		
CR-1 – Single Cylinder																						
SZE3000	N/A	N/A	3/32	2	1/8	3	N/A	N/A	N/A	N/A	N/A	N/A	9/16	14	3000	13.4	f-1/16	2	3-1/2	1.6	8-1/2	216
SZE3015	3/16	5	3/32	2	1/8	3	1-1/2	38	1-1/4	32	11/16	78	9/16	14	3000	13.4	f-1/16	2	4-1/2	2.0	10-1/4	262
CR-1 – Tandem Cylinder																						
SZE6000	N/A	N/A	5/32	4	3/16	5	N/A	N/A	N/A	N/A	N/A	N/A	9/16	14	6000	26.7	f-1/16	2	4-1/2	2.0	11-1/4	287
SZE6015	3/16	5	5/32	4	3/16	5	1-1/2	38	1-1/4	32	11/16	78	9/16	14	6000	26.7	f-1/16	2	5-1/2	2.5	14	356
CR-1 – Triple Cylinder																						
SZE8000	N/A	N/A	5/32	4	1/4	6	N/A	N/A	N/A	N/A	N/A	N/A	9/16	14	9000	40.1	f-1/16	2	7-1/2	3.4	16	406
SZE8015	3/16	5	3/16	5	1/4	6	1-1/2	38	1-1/4	32	11/16	78	9/16	14	9000	40.1	f-1/16	2	8-1/2	3.9	18-3/4	476

Due to a variety of jobs and applications, Squeeze Riveters are not supplied with rivet sets. Please contact Sloux Tools, Inc. or your local distributor for rivet set information.

General:

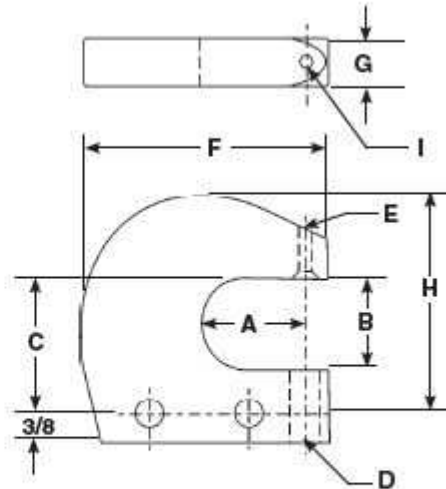
Air Inlet Size: 1/4" NPT • Recommended Hose Size: 3/8" (10 mm) • Performance rated @ 90 psig (6.2 bar) air pressure

Standard Equipment:

Parts List • Safety and Instruction Manual • Safety throttle action

C-Yoke Nomenclature

- A Reach
- B Gap
- C Height from yoke hole to center to top of yoke gap
- D Bottom set hole diameter CR-1 or CR-2
- E Top set hole diameter CR-1 or CR-2
- F Width of yoke set hole center to top of yoke
- G Thickness of yoke
- H Height of yoke from bolt hole center to top of yoke
- I Radius from set hole center



A		B		C		D		E		F		G		H		I	
In	mm	In	mm	In	mm	In	mm	In	mm	In	mm	In	mm	In	mm	In	mm
1-1/2	38	1-1/4	32	1-7/8	48	3/8	10	3/16	5	2-7/8	73	9/16	14	3.0	76	1/4	6
						7/16	11	1/4	6								

MAJ : 02.08
Vérif. : N.P.L
Appr. : C . P

Distribution OPINDUS



Matériel conforme à la D.E 89/392/CEE, aux Normes EN292-1 et 2, EN294

OPINDUS : 1, Rue Maurice Audibert 69800 SAINT PRIEST Tél : 04.78.21.73.14 - Fax : 04.78.21.73.01